

Easy Superhero Cape and Mask

What you'll need

- Blank paper and pencils
- Fusible webbing (about a 12-in. piece)
- Iron, ironing board and press cloth
- Straight pins
- Men's or women's T-shirt, size M or larger, depending on the how long you want to make the cape (we used an XL men's shirt)
- Sharp fabric scissors
- Printouts of mask and initial templates
- Scrap fabrics for logo
- Yardstick
- Water-soluble marking pen
- Velcro squares and sewing machine for adjusting the neckband (optional)
- Felt square in coordinating color (or use leftover scraps from your T-shirt) for mask
- $\frac{1}{2}$ yd. to $\frac{2}{3}$ yd. elastic or ribbon for mask
- Hot glue gun and glue sticks, or sewing machine
- Stick-on jewels, fabric markers or scraps of fabric and fusible webbing to decorate mask (optional)



How to make it

For the cape

1. Draw out a logo for yourself as a superhero on the blank paper. (We made a paint splatter shape—templates provided—but feel free to create your own awesome design.) Set aside.
2. Now iron the fusible webbing to your scraps of fabric following manufacturer's instructions and using a press cloth. Pin your paper logo on the fabric side of the fused fabric and cut out the design. Then pin and cut out your superhero initial from another scrap of fused fabric. Remove pins, template paper and backing paper. Set aside.
3. Lay the T-shirt on a table, flat and right side up. Cut off the arms at the seams and discard. Then cut from the bottom center hem of the T-shirt up to the ribbing of the collar, but DO NOT cut through the collar. Instead, cut AROUND the collar until you get to the shoulder seams. Then cut along the shoulder seams until you reach the armholes. Open up the shirt and make sure it's as flat as possible.
4. Use the yardstick and water-soluble marker to draw an angled line from the bottom hem of the shirt to the shoulder seam, just inside the armhole. See Diagram 1. Cut along that line. Then repeat for the other side.
5. Trim off the bottom hem of the cape in a straight line or create a fun scalloped or jagged edge (optional).

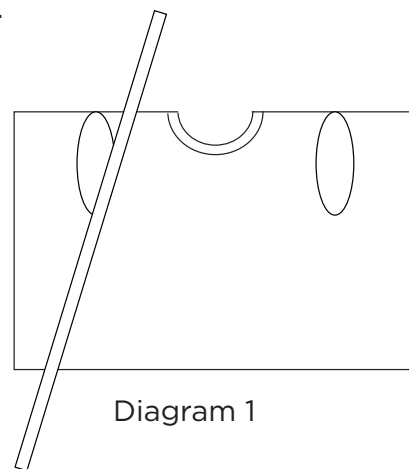


Diagram 1



6. Now turn the cape over so the back finished side is facing up. Center your fabric logo pieces on the back until you like how they look. Then iron the pieces, fusible-webbing-side down, to the back of the cape using a press cloth.
7. To wear, just slip the collar over your head. If you'd like to adjust the size of the neck, cut apart the collar and ask an adult to help you sew some Velcro squares to the collar's ends.

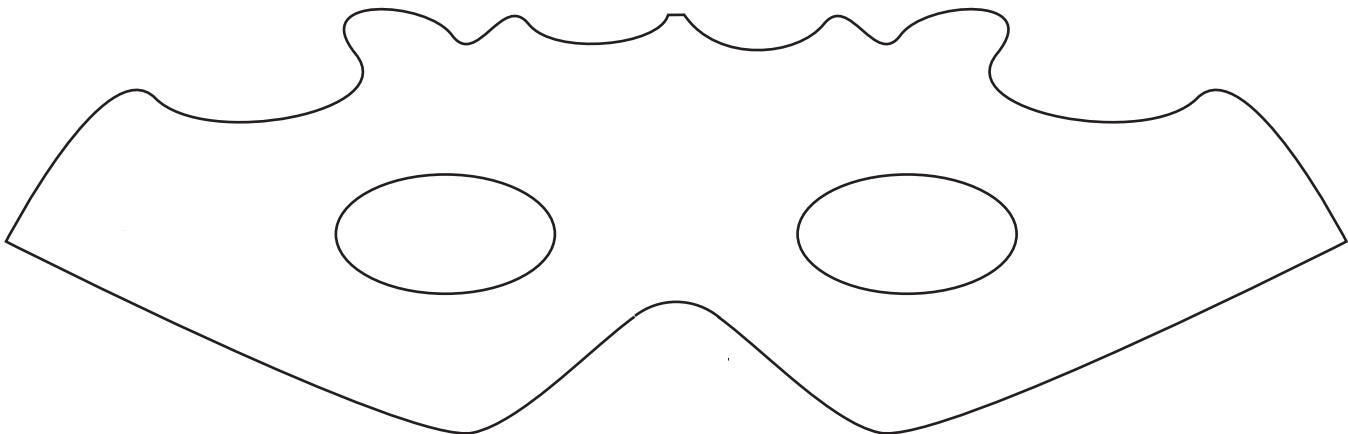
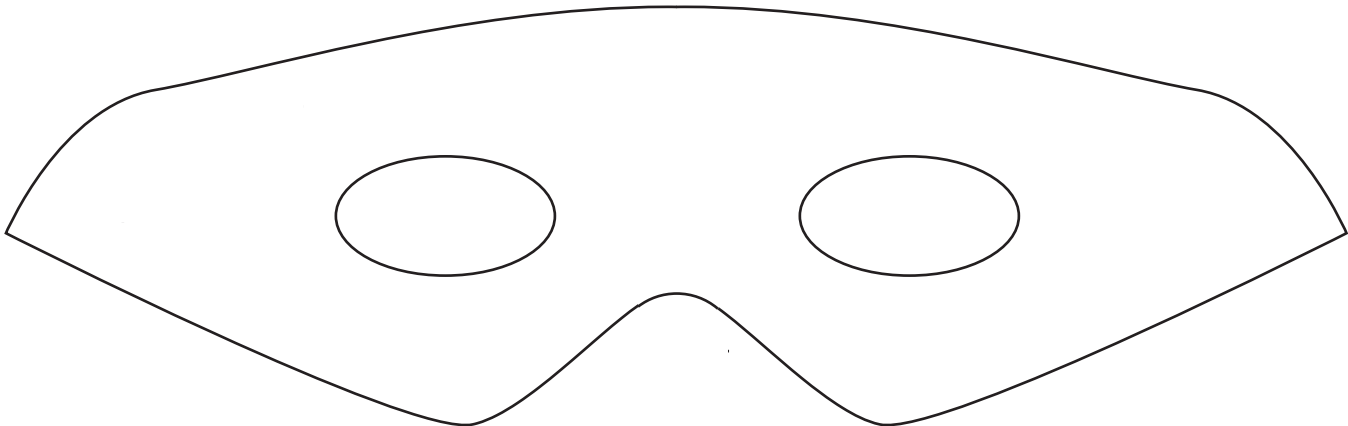
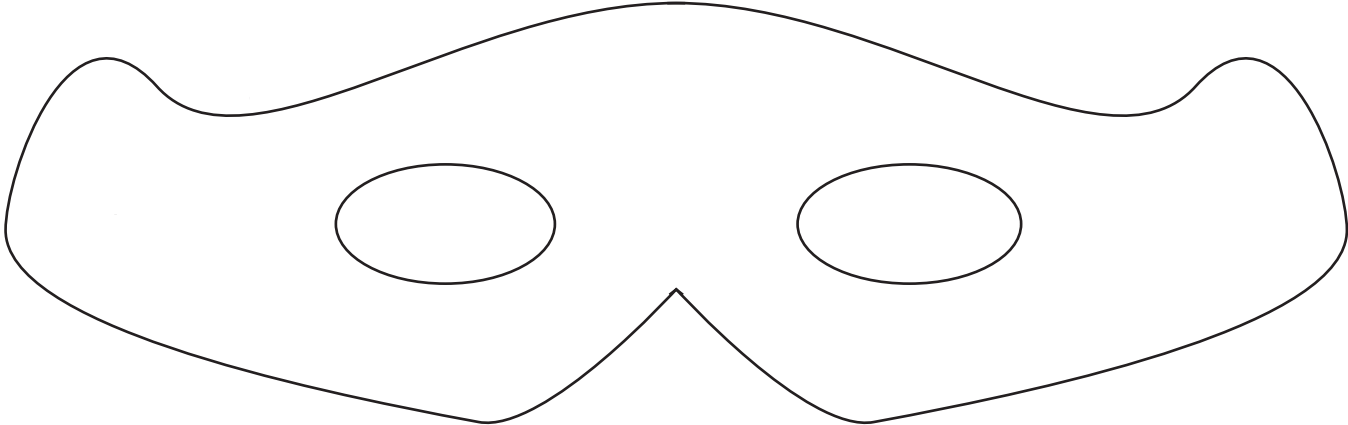


For the mask

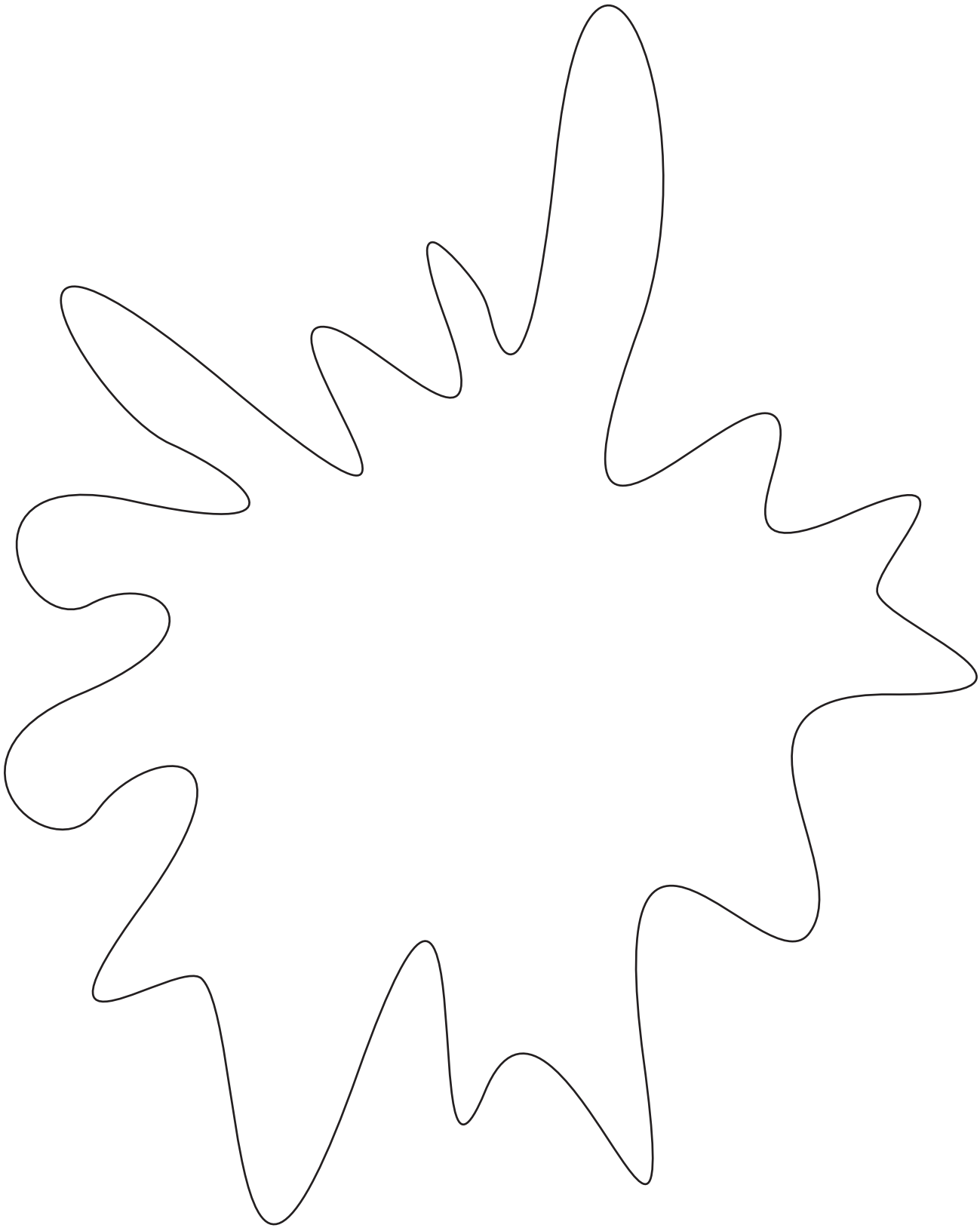
1. Pin the mask template to your square of felt or scrap of leftover T-shirt fabric. Cut out, remove pins, and discard paper template. When cutting the eyeholes, cut them small at first and then try on the mask. Then cut a little more, as needed, until you can see easily.
2. Cut the elastic or ribbon into 2 equal pieces. Use hot glue or the sewing machine to attach each piece to the underside of the mask on each end.
3. Embellish the front of your mask with stick-on jewels, fabric markers or little scraps of fabric and fusible webbing (optional).



Mask templates



Logo template



A B C D

E F G H



J K L M
N O P Q



R S T U V
W X Y Z

